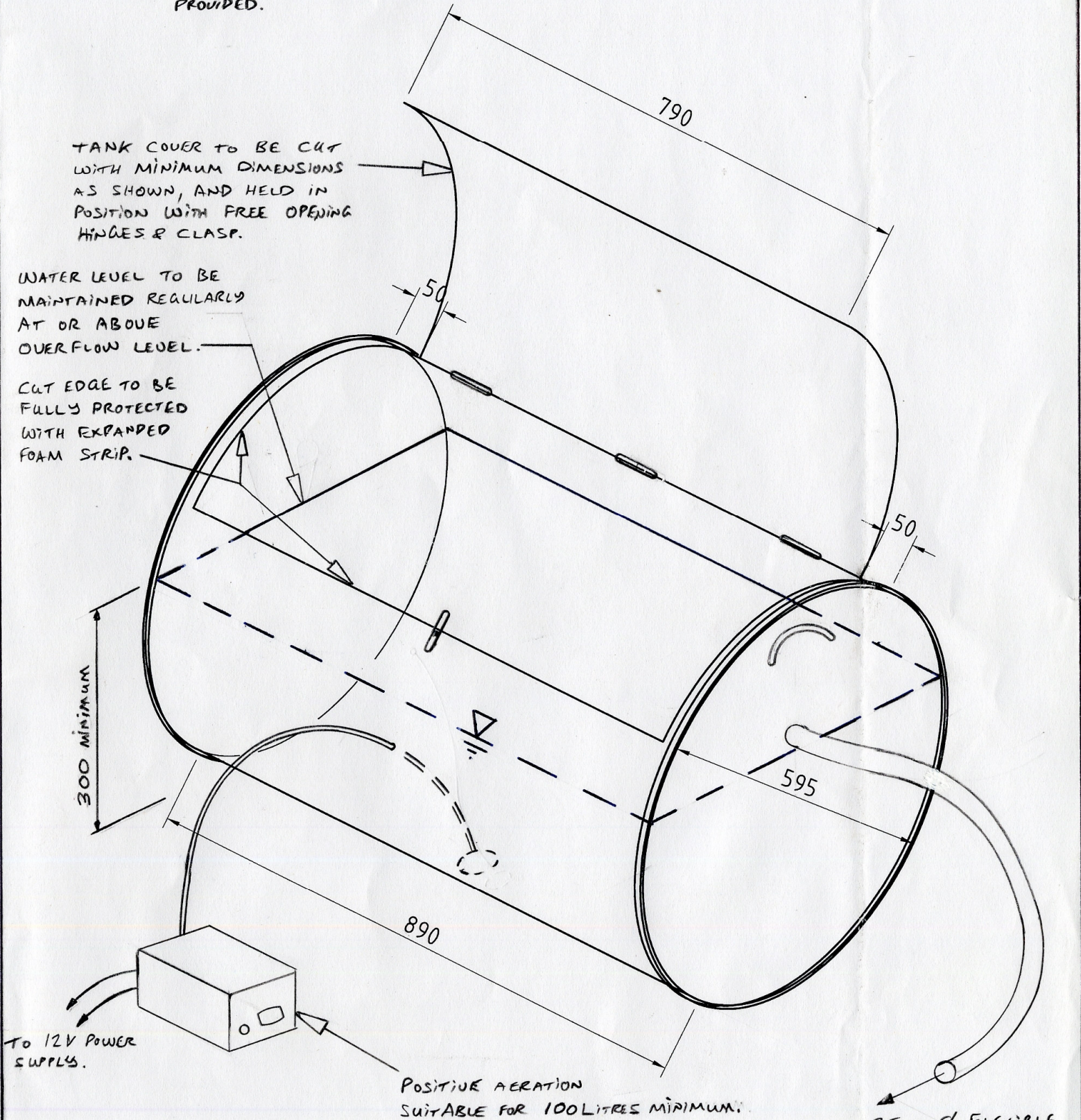


FISH HOLDING TANK (SHORT DURATION ONLY)

NOTE: PROPRIETARY FACTORY FITTED BOAT FISH HOLDING TANKS MAY BE USED WHERE SIMILAR DIMENSIONS & SET-UP ARE PROVIDED.



- NOTES:
1. FISH HOLDING TANK TYPICALLY FORMED FROM 55 GALLON PLASTIC DRUM.
 2. FISH HOLDING TANK SECURED IN POSITION USING WOODEN CHUCKS & FIBRE STRAPS.
 3. BOAT TO BE SUFFICIENT TO CARRY ADDITIONAL 100KG FOR TANK.